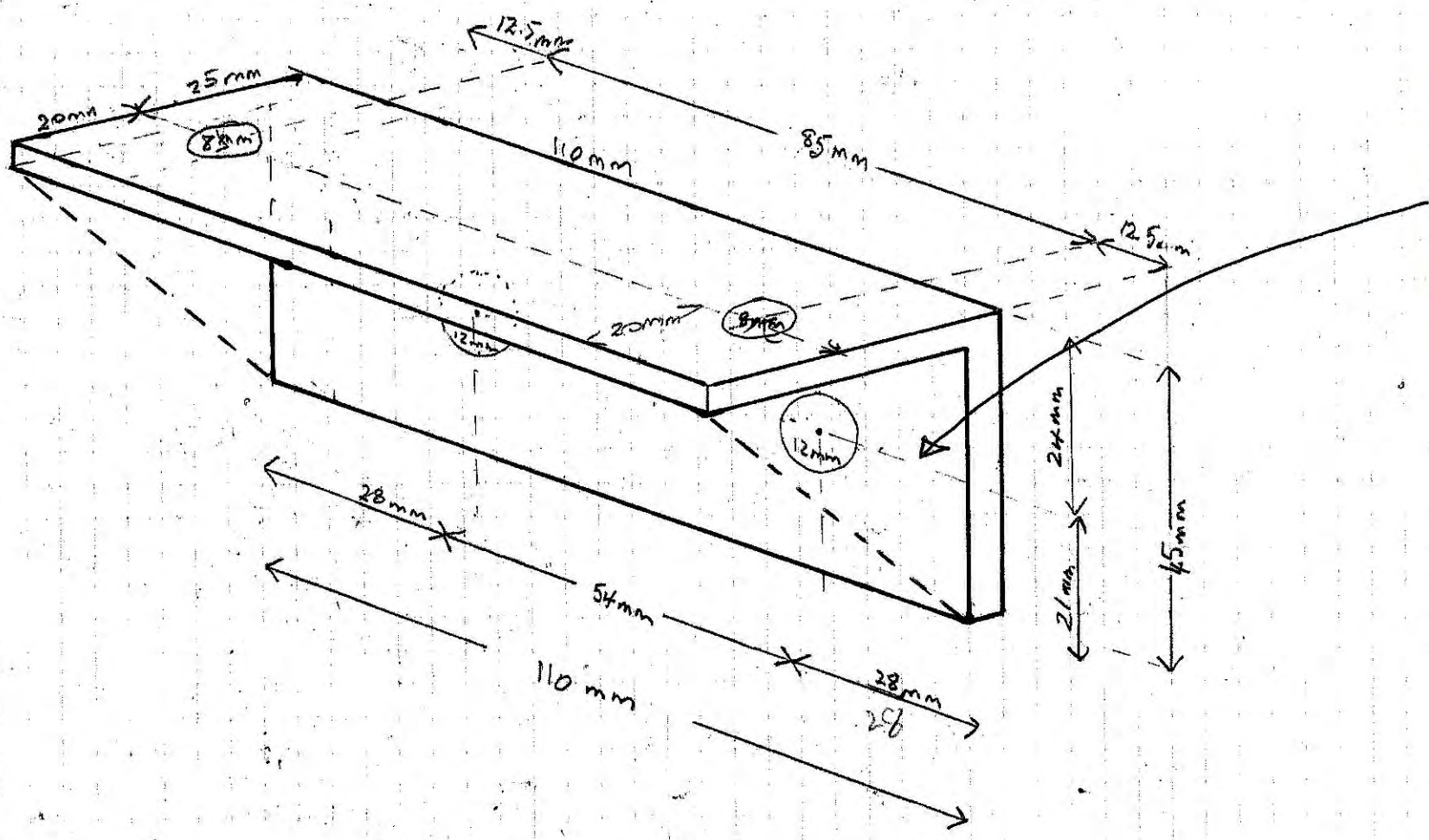


LD10 ALTERNATIVE ENGINE MOUNT

BOTTOM BRACKET TO BOLT TO A FRAME

5mm mild steel

1
BOTTOM
BRACKET



TRIANGLE
BRACING WELDED
INTO END OF
BRACKET

LD10 ALTERNATIVE ENGINE MOUNT
CROSSSECTION FROM SIDE

